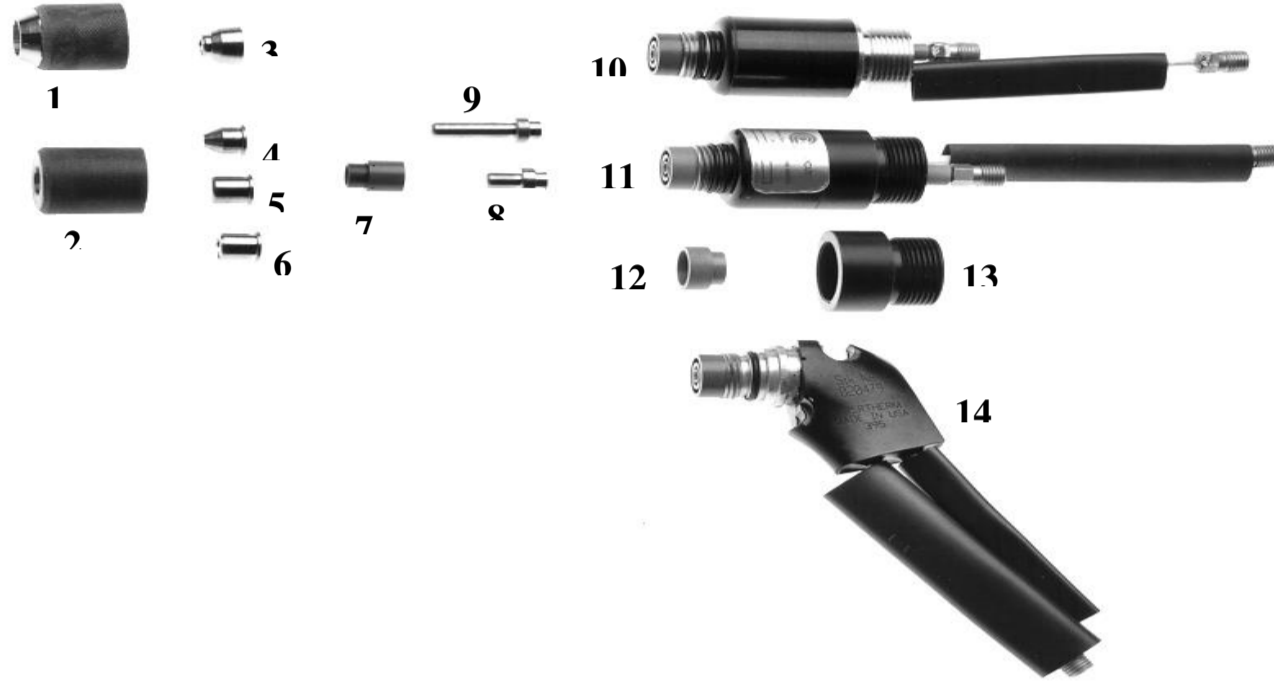


TALAS

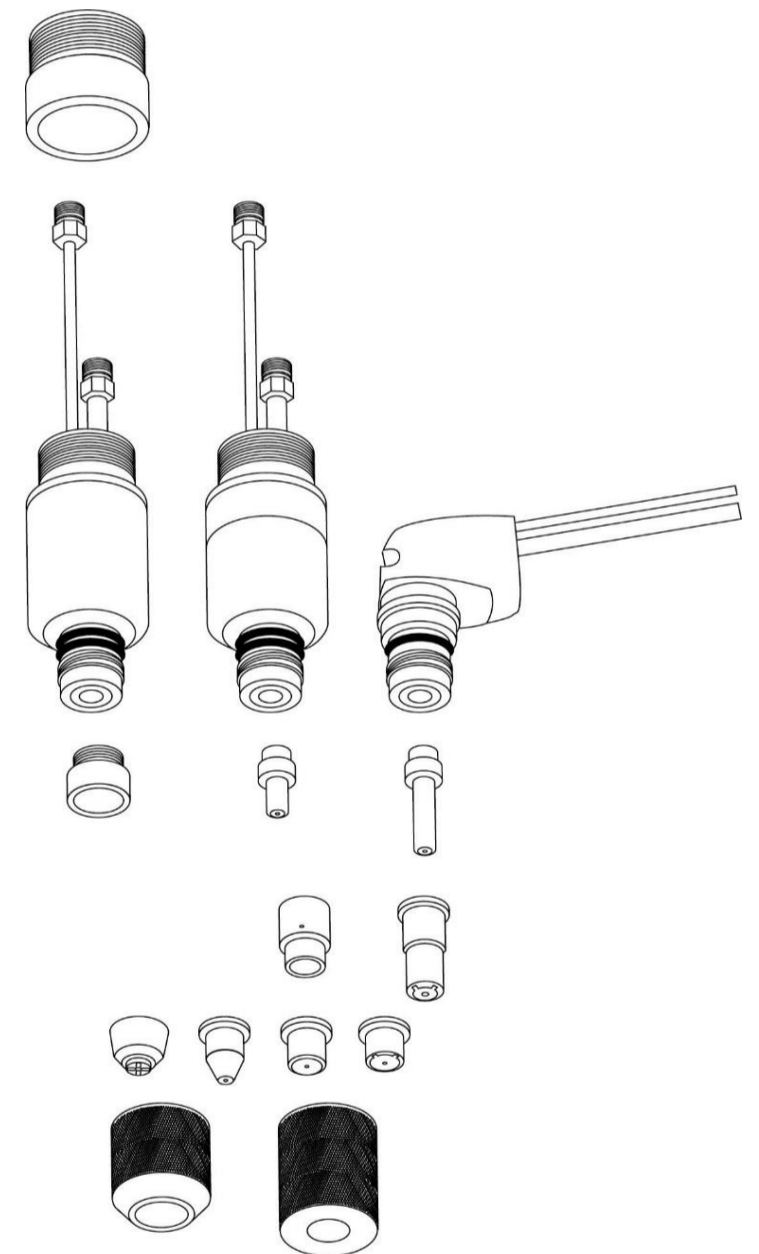
Paardenkerkhofstraat 56 B-2800 Mechelen
 Tel. +32(0)15.61.60.07 Fax. +32(0)15.61.75.27
 Email. info@talas.be www.talas.be



HT/MAX40® (PAC140)



Item No.	Pkg Qty	Centricut Part #	Ref Number	Description		
1	1	H02-200	020200	Retaining Cap, High Visibility		
2	1	C02-104	020104	Retaining Cap	13,57 €	3pcs
3	5	H02-197	020197	Nozzle, High Visibility	1,93 €	9pcs
4	10	C02-131	020131	Nozzle, HT40®, Pipe	0,57 €	10pcs
5	10	C02-102	020102	Nozzle, HT40®	2,87 €	20pcs
6	10	C02-115	020115	Nozzle, MAX40®	4,83 €	10pcs
7	5	H02-466	020466	Nozzle, Extended		
	5	H02-340	020340	Nozzle, Gouging		
8	2	C02-101	020101	Swirl Ring	7,22 €	2pcs
9	10	C02-103	020103	Electrode, Air	1,64 €	10pcs
	5	H02-167	020167	Electrode, N2		
10	5	H02-467	020467	Electrode, Air, Extended		
	5	C02-016	044016	O-Ring	0,41 €	10pcs
	1	HYP-7055	027055	O-Ring Lube		
11	1	C02-114	020114	HT40C® Torch Body, 180°		
12	1	C02-914	N/A	HT40C® Modular Torch Body, 180°	171,17 €	2pcs
13	1	C02-043	N/A	Insulator, Replaceable	13,81 €	6pcs
14	1	C02-046	N/A	Mounting Boss, Break-away	14,16 €	1pc
	1	C02-Tool	N/A	Mounting Boss Removal Tool		
15	1	H02-479	020479	MAX40® Torch Body, Hand 70°		
	1	H03-214	001214	MAX40® Torch Handle, Hand 70°		
	1	H02-231	020231	Positioning Tube HT40, Ass'y, 10-3/4in		
	1	H02-114	020114	H40 Torch Body		
	5	C08-010	N/A	Ball Casters		
	1	C02-PAK	N/A	HT40® Parts Pack		
	1	H02-205	020205	Torch Sleeve, Black Delrin		
	1	H02-210	020210	Torch Sleeve, Black Delrin with shoulder		



Reference to the above-named machines, torches, and reference numbers are for convenience only. All products with a "C" in the part number are manufactured by or for Centricut, LLC. The use of other prefixes indicate parts manufactured by the above-named OEM, which are simply being resold by Centricut, LLC., and will be supplied in OEM packaging.