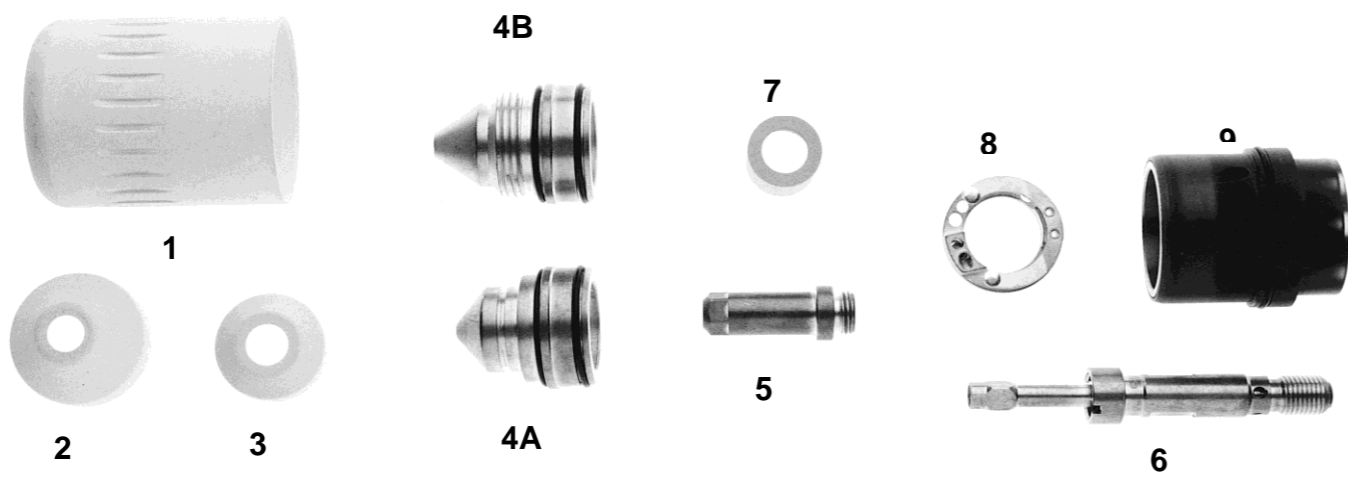


TALAS

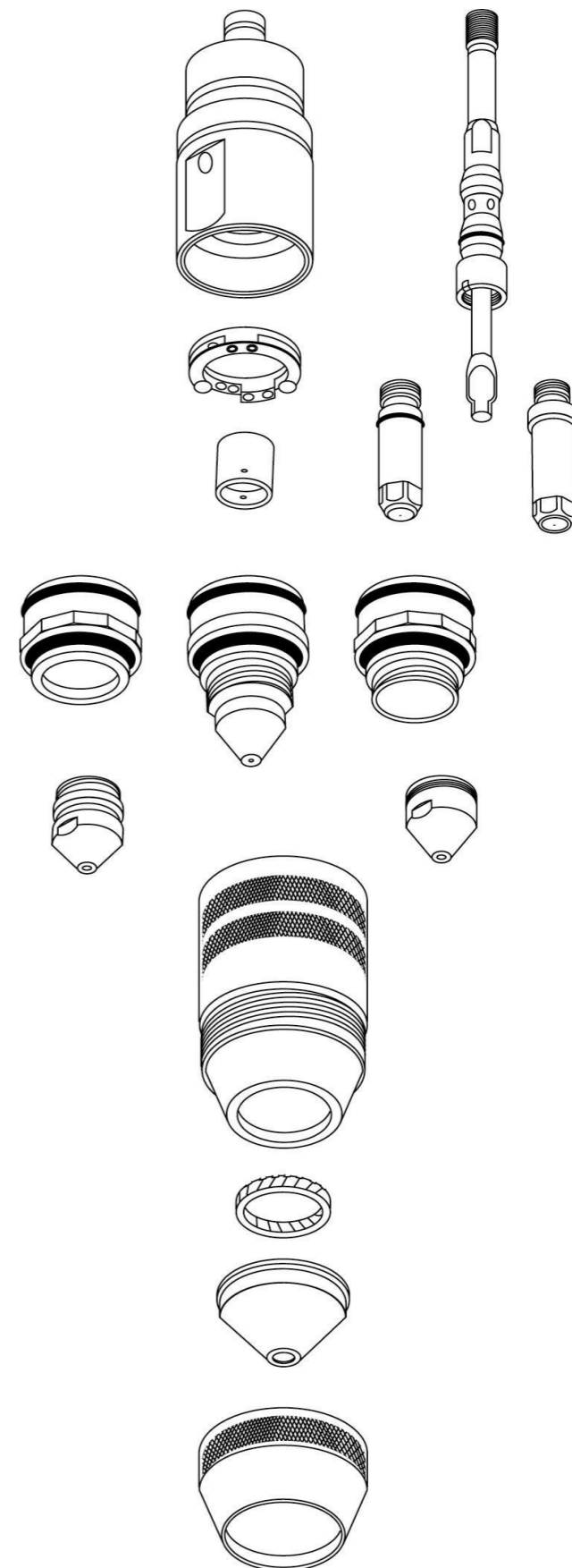
Paardenkerkhofstraat 56 B-2800 Mechelen
 Tel. +32(0)15.61.60.07 Fax. +32(0)15.61.7
 Email. info@talas.be www.talas.be



PT19XLS



Item No.	Pkg Qty	Centricut Part #	Ref Number	Description	Price	Quantity
1	1	C47-081	37081	Shield Retainer	€ 46,92	2pcs
2	1	L47-795	21795	Shield, 50 Amp		
	1	C47-802	21802	Shield, 100-250 Amp		
	1	C47-945	21945	Shield, 325-600 Amp		
3	1	L47-796	21796	Diffuser, 50 Amp		
	1	C47-944	21944	Diffuser, 100-600 Amp	€ 14,16	3pcs
	1	L47-496	22496	Diffuser, 100-600 Amp, Rev, Black		
4	1	L47-082	37082	Nozzle Retaining Cap		
	1	L47-431	37431	Nozzle Retaining Cup, Air Curtain		
5	1	L47-027	22027	Nozzle Base, 50 Amp		
6	1	C47-026	22026	Nozzle Tip, .041, 50 Amp		
7	1	C47-028	22028	Nozzle Base, 100-400 Amp	€ 12,72	3pcs
	1	C47-928		Nozzle Base, Long Life, 100-400Amp	€ 27,74	3pcs
8	1	C47-029	22029	Nozzle Tip, .071, 100 Amp	€ 4,14	6pcs
	1	C47-030	22030	Nozzle Tip, .082, 150 Amp	€ 4,14	16pcs
	1	C47-031	22031	Nozzle Tip, .091, 200 Amp		
	1	C47-922	N/A	Nozzle Tip, 250 Amp	€ 4,14	1pc
9	1	C47-822	21822	Nozzle, .099, 250 Amp	€ 11,10	4pcs
	1	C47-885	35885	Nozzle, .120, 360 Amp	€ 10,78	1pc
	1	C47-195	22195	Nozzle, .130, 400 Amp		
	1	L47-401	22401	Nozzle, 600 Amp		
	1	C47-1096	34086	Electrode, SilverLine, 250 Amp		
	1	C47-1086	35886	Electrode, SilverLine, 360 Amp	€ 14,49	1pc
	1	L47-196	22196	Electrode, 400 Amp		
11	1	L47-557	34557	Electrode, N2/ArH2, 150-360 Amp		
	1	L47-403	22403	Electrode, N2/ArH2, 600 Amp		
12	1	C47-068	37068	Electrode Holder	€ 39,05	2pcs
13	1	C47-142	948142	Gas Swirl Baffle, 4 Hole, Std	€ 14,76	1pc
	1	L47-143	948143	Gas Swirl Baffle, 4 Hole, Rev		
	1	C47-586	2075586	Gas Swirl Baffle, 8 Hole, Std		
	1	L47-918	20918	Gas Swirl Baffle, 8 Hole, Rev		
	1	C10-660	35660	Gas Swirl Baffle, 8 Hole, 300-340 Amp		
	1	L47-194	22194	Gas Swirl Baffle, 400 Amp, Std	€ 55,16	1pc
14	1	C47-940	37071	Contact Ring Ass'y	€ 39,99	1pc
15	1	L47-083	37083	Insulator Ass'y		
	1	L47-528	996528	O'Ring, Insulator Ass'y		
	1	L47-066	37066	Rear Main Body Ass'y		
	1	C10-483	19483	Double Threaded Mounting Tube		
	1	C47-084	34084	Electrode Holder	€ 20,65	3pcs
	1	C47-186		Heat Shield, STD, 100-360A	€ 11,68	1pc
	1	C47-985		Nozzle Tip, 360A	€ 4,14	1pc
	1	C47-994		Nozzle Tip, 400A	€ 4,14	1pc
	1	C47-073		Screw, Contact Ring	€ 5,33	2pcs



Reference to the above-named machines, torches, and reference numbers are for convenience only. All products with a "C" in the part number are manufactured by or for Centricut, LLC. The use of other prefixes indicate parts manufactured by the above-named OEM, which are simply being resold by Centricut, LLC., and will be supplied in OEM packaging.