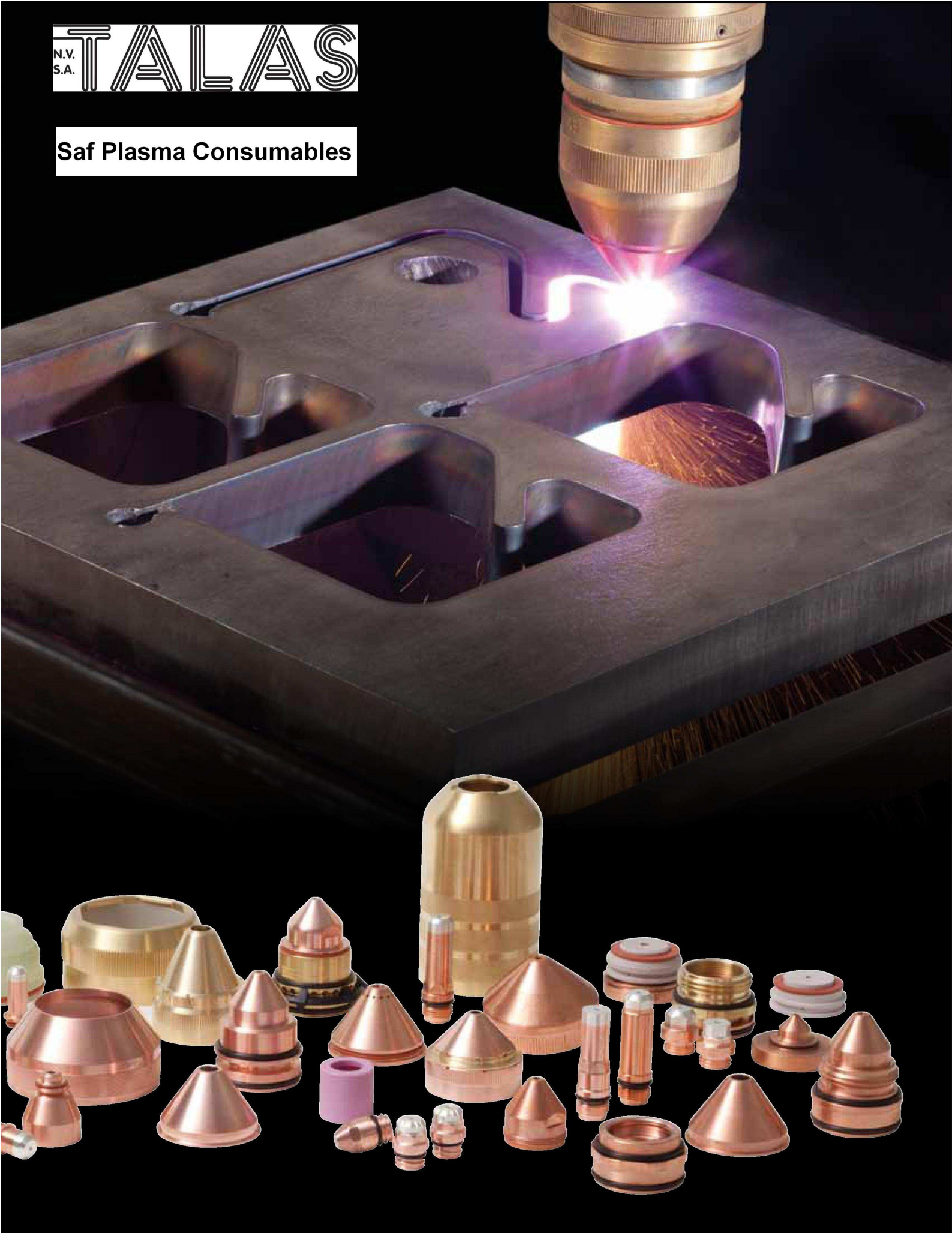


N.V.
S.A. **TALAS**

Saf Plasma Consumables

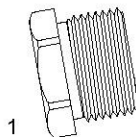
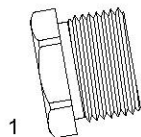


TALAS

Paardenkerkhofstraat 56 B-2800 Mechelen
Tel. +32(0)15.61.60.07 Fax. +32(0)15.61.75.27
Email. info@talas.be www.talas.be

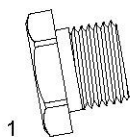
REPLACEMENT PARTS SUITABLE FOR:

**SAF® P 30 D® CPM-201 / CPM-601® / CPM-250® / CPM-300® / CPM-720®
 FRO®**



Item	Ref.	Description
1	0409-2091	Tip ø 1,0 - 30 A 16x1
	0409-2092	Tip ø 1,2 - 60 A 16x1
	0409-2093	Tip ø 1,4 - 90 A 16x1
	0409-1055	Tip ø 1,5 - 100A 16x1 (FRO 2593861)
	0409-2096	Tip ø 1,6 - 120 A 16x1
	0409-1056	Tip ø 1,8 - 150 A 16x1 (FRO 2593853)
	0409-1052	Tip ø 2,0 - 180 A 16x1 (FRO 2593846)
	0408-1053	Tip ø 2,5 - 200 A 16x1 (FRO 2593838)
	0408-1078	Tip ø 2,7 - 250 A 16x1
	0408-1054	Tip ø 3,0 - 320 A 16x1 (FRO 2593820)
2	0408-1345	Tip ø 3,0 - 400 A 16x1
	0408-1346	Tip ø 3,5 - 500 A 16x1
	0408-1347	Tip ø 4,0 - 600 A 16x1
	0408-1348	Tip ø 4,5 - 700 A 16x1

**SAF® CP 200
 FRO®**



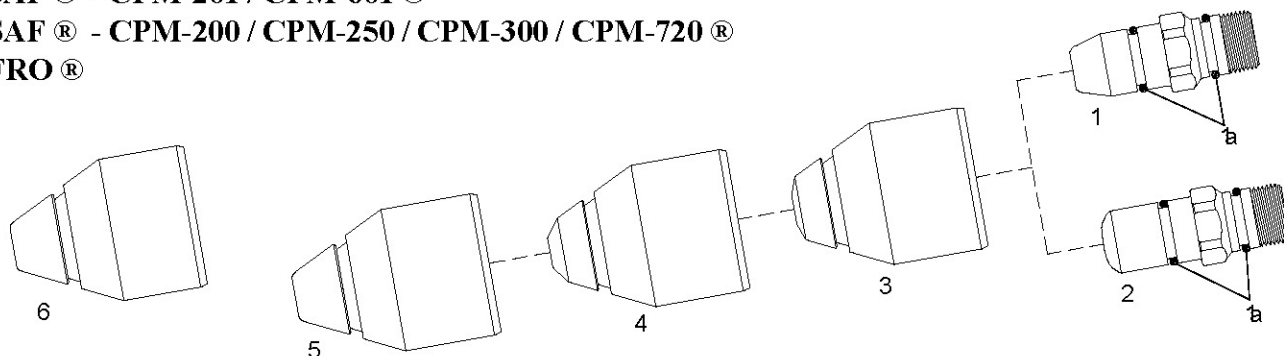
Item	Ref.	Description
1	0408-0915	Tip ø 1,5 (FRO 2596252)
	0408-0918	Tip ø 1,8 (FRO 2596260)
	0408-0920	Tip ø 2,0 (FRO 2596278)
	0408-0925	Tip ø 2,5 (FRO 2596286)
		Tip ø 3,0

REPLACEMENT PARTS SUITABLE FOR:

SAF® - CPM-201 / CPM-601®

SAF® - CPM-200 / CPM-250 / CPM-300 / CPM-720®

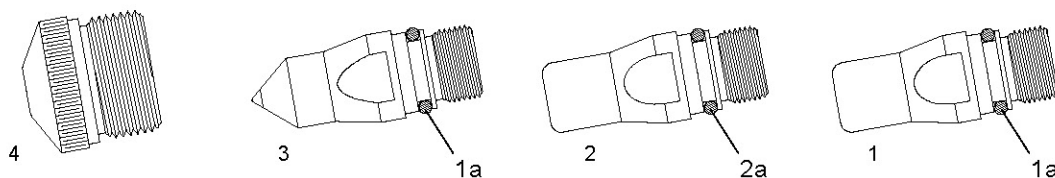
FRO®



Item	Ref.	Description
1	0408-1482	Electrode - Hf. 90/120 A (XF)
1 a	0408-1283	O-Ring ø 8 x 1,25 Nitrile (package of 20 pcs.) price is intended per single pcs.
2	0409-2095	Electrode - H25 - 120/240 A (XF)
3	0409-2071	Nozzle 30 A, O2
4	0409-2072	Nozzle 60 A, O2
5	0408-2073	Nozzle 90 A, O2
	0409-2076	Nozzle 120 A, O2
	0409-1278	Nozzle 150 A, O2
	0409-1279	Nozzle 180 A, O2
	0409-1280	Nozzle 240 A, O2
6	0409-1350	Nozzle 320 A, N2
	0409-1351	Nozzle 500 A, N2
	0409-1352	Nozzle 640 A, N2

SAF® CPM 15

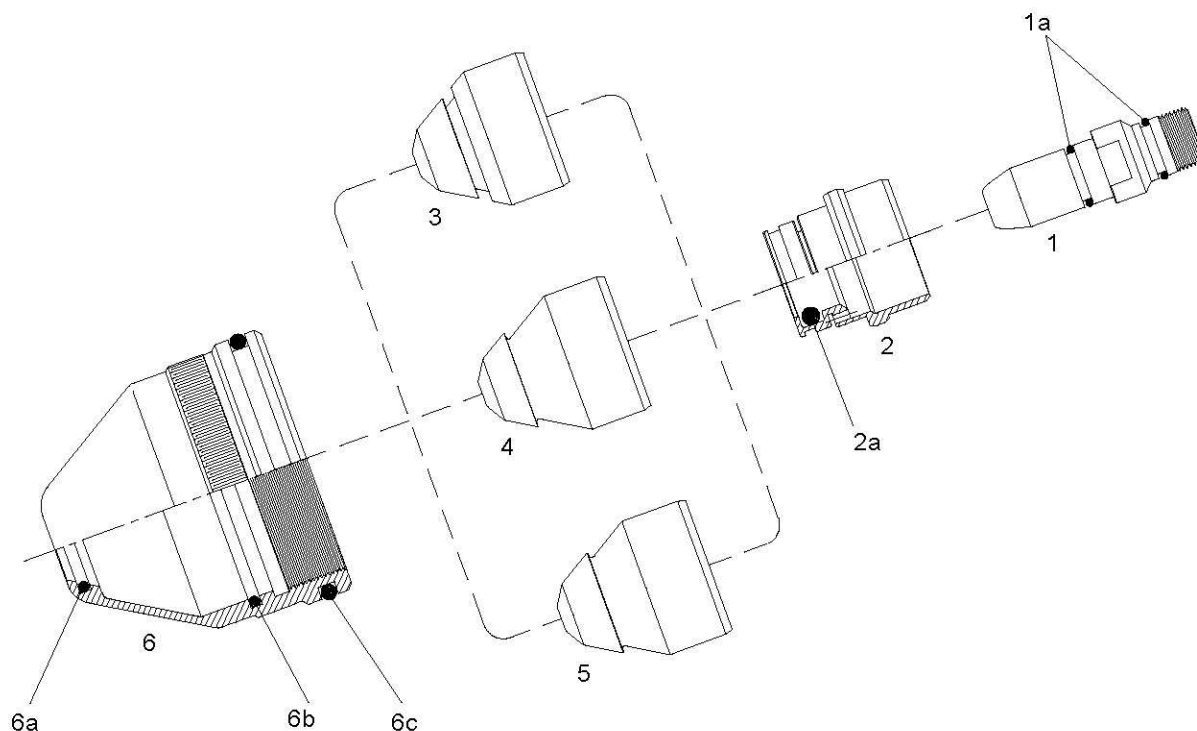
FRO®



Item	Ref.	Description
1	0409-1204	Electrode - Hf.
1a		O-Ring Nitrile black (package of 10 pcs.) price is intended per single pcs.
2	0409-1205	Electrode N2 (XF)
2a		O-Ring silicone red (package of 10 pcs.) price is intended per single pcs.
3	0409-1206	Electrode Ar/H
4	0409-1210	Nozzle 40 A
	0409-1212	Nozzle 60 A
	0409-1216	Nozzle 100 A
	0409-1218	Nozzle 150 A

REPLACEMENT PARTS SUITABLE FOR:

SAF® - OCP-150
 FRO®

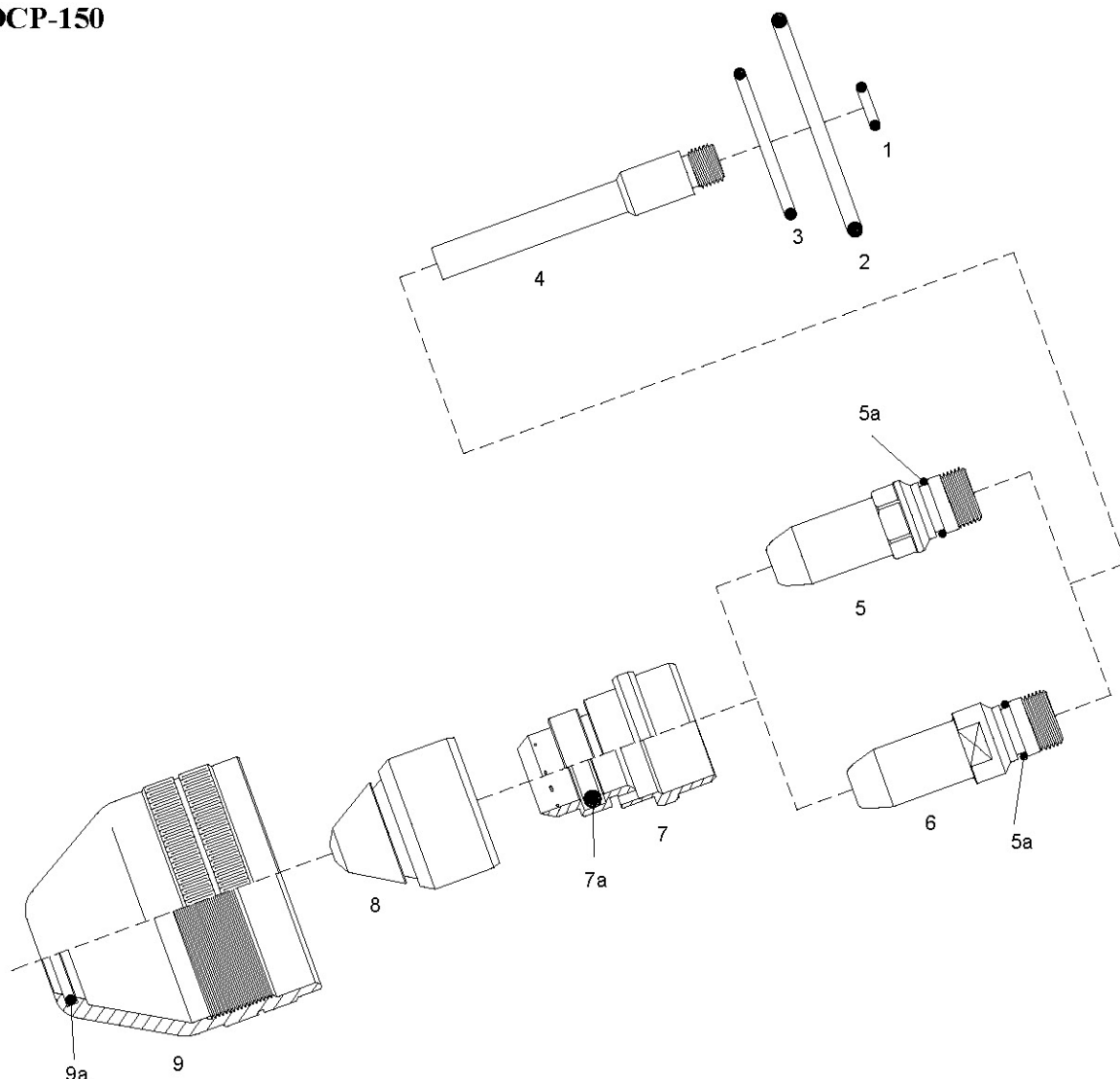


FOR USE WITH N₂ or Ar/H₂ (AZOTO, ARGON, IDROGENO)

Item	Ref.	Description
1	0409-2194	Electrode (W15), N2 Ar/H2 (XF) (FRO 2594128)
1 a	0408-1283	O-Ring ø 8 x 1,25 Nitrile (package of 20 pcs.) price is intended per single pcs.
2	0409-2209	Swirl ring (NL), N2 Ar/H2 (FRO 2594014)
2 a	0409-2168	O-Ring ø 10 x 3 Silicone (package of 20 pcs.) price is intended per single pcs.
3	0409-2231	Tip 15A (N15), N2 (FRO 2594220)
	0409-2233	Tip 30A (N30), N2 (FRO 2594221)
	0409-2234	Tip 40A (N40), N2 (FRO 2594222)
	0409-2236	Tip 60A (N60), N2 (FRO 2594223)
4	0409-2239	Tip 90A (N90), N2 (FRO 2594225)
	0409-2240	Tip 120A (N120), N2 (FRO 2594240)
5	0409-2249	Tip 90A (A90), Ar/H2 (FRO 2594241)
	0409-2250	Tip 120A (A120), Ar/H2 (FRO 2594005)
6	0409-2110	Nozzle retaining cap N2 Ar/H2
6 a	0409-2187	O-Ring ø 14 x 1.78 EPDM (package of 20 pcs.) price is intended per single pcs.
6 b	0409-2188	O-Ring ø 37.8 x 1.78 Nitrile (package of 20 pcs.) price is intended per single pcs.
6 c	0409-2189	O-Ring ø 42.5 x 2.62 Nitrile (package of 20 pcs.) price is intended per single pcs.

REPLACEMENT PARTS SUITABLE FOR:

SAF® - OCP-150
 FRO®



FOR USE WITH O₂ (OXYGEN)

Item	Ref.	Description
1	0408-1238	O-Ring ø 5,28 x 1,78 Nitrile (Minimum quantity 20 pcs.)(single price)
2	0408-1282	O-Ring ø 36,17 x 2,62 Nitrile (Minimum quantity 20 pcs.)(single price)
3	0408-1284	O-Ring ø 24 x 2 Nitrile (Minimum quantity 20 pcs.)(single price)
4	0409-2154	Diffusor
5	0409-2184	Electrode with 2 o-rings, long life - Hf. (FRO 2591102) until sold out
	0409-2184	Electrode with 1 o-ring, long life - Hf (FRO 2591102)
5 a	0408-1283	O-Ring ø 8 x 1,25 Nitrile (Minimum quantity 20 pcs.)(single price)
6	0409-2185	Electrode long life - HX5 (XF) (FRO 2594103)
	0409-2185	Electrode long life - HX5 Solid Silver price on request
7	0409-2170	Swirl ring OCP VD6 - 60A
	0409-2169	Swirl ring OCP VD15 - 120A
7 a	0409-2168	O-Ring ø 10 x 3 Silicone (Minimum quantity 20 pcs.)(single price)
8	0409-2171	Tip 15A (FRO 2594113)
	0409-2173	Tip 30A (FRO 2594114)
	0409-2174	Tip 40A (FRO 2594115)
	0409-2176	Tip 60A (FRO 2594116)
	0409-2183	Tip 90A (FRO 2594138)
	0409-2186	Tip 120A (FRO 2594140)
9	0409-2166	Nozzle retaining cap
9 a	0409-2167	O-Ring ø 15 x 1.78 EPDM (Minimum quantity 20 pcs.)(single price)

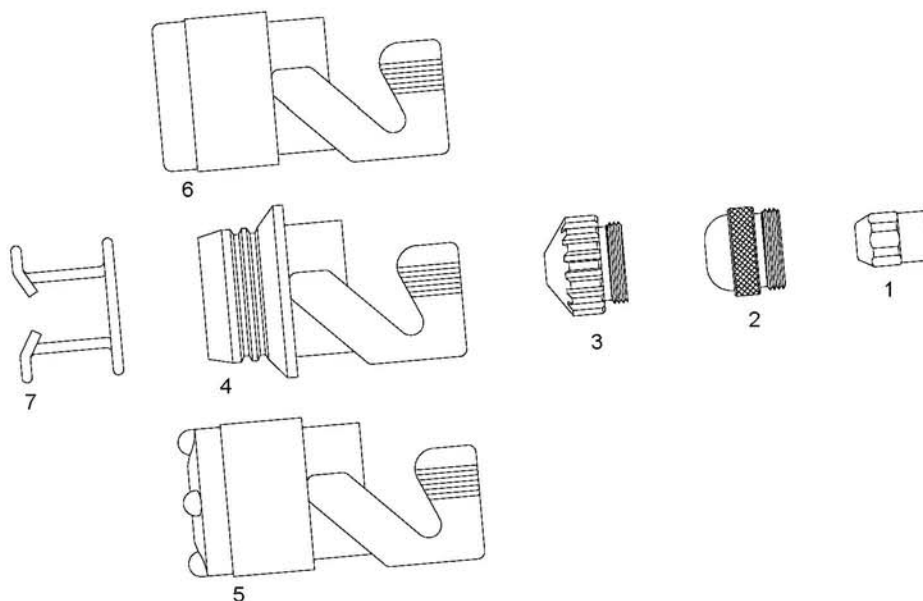
REPLACEMENT PARTS SUITABLE FOR:

SAF® - FRO® CPM 360®



Item	Ref.	Description
1	W000235245	Cooling tube
2	W000120713	Electrode (P-TYPE)
3	W000120716	Swirl ring R
4	W000120712	Tip \varnothing 2,5 260 A
	W000242432	Tip \varnothing 3,0 360 A
5	W000120714	Shield

SAF® CP 40 R - CP 100 R FRO®



Item	Ref.	Description
		Hand torch 70A compl.with 6mts. cable (Cebora® type P70; IMPORTANT for the spare parts of this torch must be used the parts shown on page 12)
1	0408-2404	Electrode - Hf.
2	0408-2052	Tip 20/40
3	0408-2261	Tip \varnothing 1,0
	0408-2262	Tip \varnothing 1,2
	0408-2385	Tip \varnothing 1,6
4	2592251	TN Protection nozzle guide suitable(0408-2267)
5	2592624	TI 100 Protection nozzle guide suitable(0408-2405)
	2592624	TI 100 Protection nozzle guide OEM (0408-2405) UNTIL SOLD OUT
6	2592285	Protection nozzle guide suitable(0408-2268)
	2592285	Protection nozzle guide OEM (0408-2268) UNTIL SOLD OUT
7	0408-2053	Spacer spring (10 pcs.)(single price)